

UTP RJ-45 Plugs Datasheet

GC-RJ5e-IN



Features

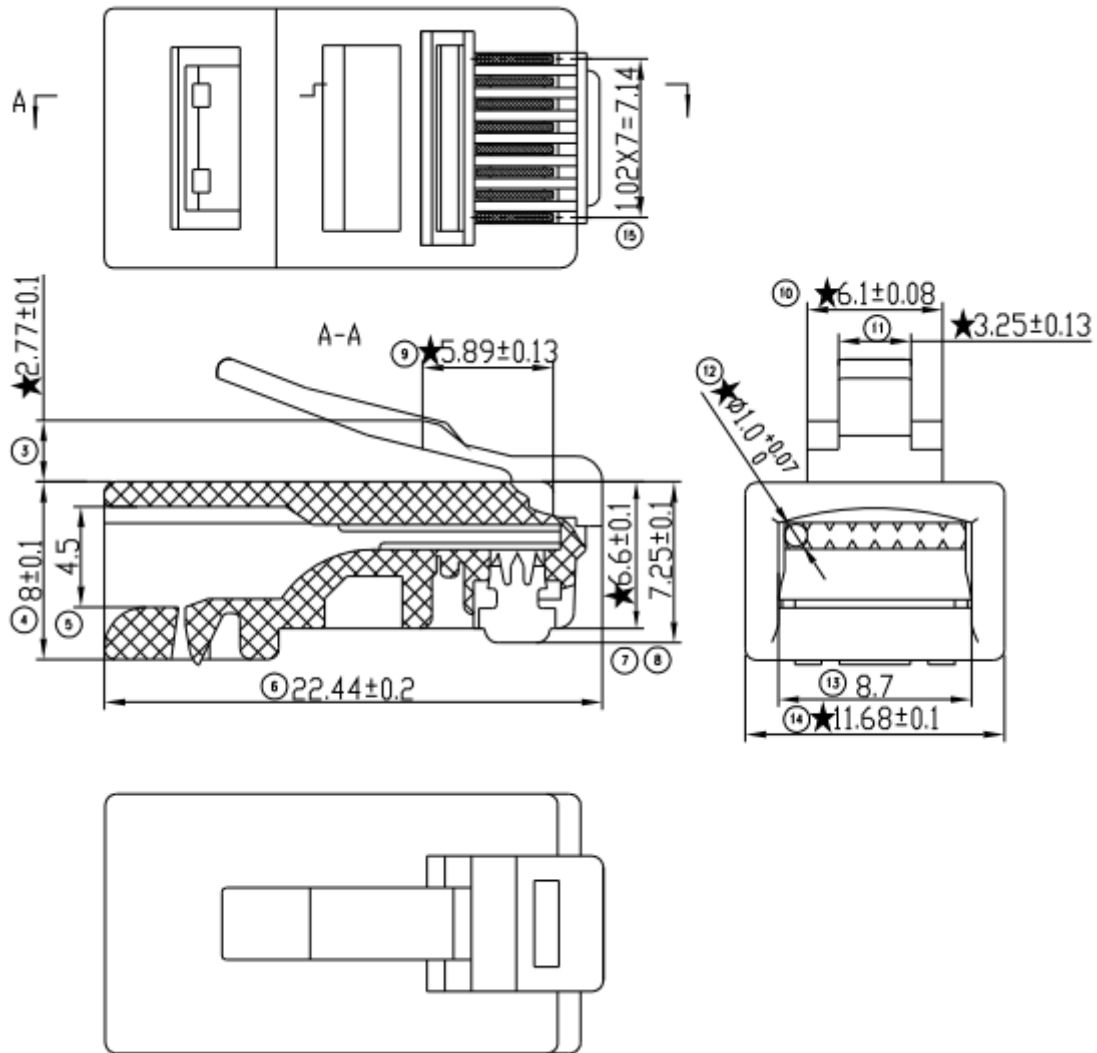
- 3μ inches gold-plated for excellent contact performance
- Stable data transmission with up to 750 plugs and unplugs
- Highly transparent PC material support RoHS standards, wear-resistant and durable
- 8 pins × 8 conductors, support 1000Base-T Ethernet

Specifications

Model	GC-RJ5e-IN
Physical	
Product Type	UTP CAT5E RJ-45 8P8C plugs
Packing	100PCS / Box, 50 Boxes / Case Once packing dimension: 12*6.5*9cm Twice packing dimension: 50*35*27cm
Weight	0.21kg / Box 10.5kg / Case
Mechanical	
Shell Material	Polycarbonate
Conductor Material	Copper alloy , 3μ inches gold-plated
Operating Life	≥750 Cycles
Fire Resistance	UL 94V-2
Cable	24-26AWG

Maximum Insulation Diameter of Solid Wire	0.89-0.99mm
Maximum insulation Diameter of Cable Jacket	5.4mm
Electrical	
Voltage Rating	150V AC RMS
Current Rating	1.5A
Insulation Resistance	≥1000MΩ, 500V DC
Withstand Voltage	1000V D.C. or A.C. PEAK; one contact to all other contacts continued together. 1500V D.C. or A.C. PEAK; all contacts connected together to shield,,(housing/mounting plate) if present. @0.5mA 50 Hz or 60 Hz a minute.
Standard	IEC 60603-7
Environment	
Operating Temperature	-10°C to 40°C
Store Temperature	-25°C to 55°C
Operating Humidity	<80%RH

Dimensions



Ordering Info

Product Model	Description
GC-RJ5e-IN	Cat5e Unshielded Crystal Head

Zhejiang Uniview Technologies Co., Ltd.



<http://www.uniview.com>



overseasbusiness@uniview.com; globalsupport@uniview.com



No. 369, Xietong Road, Xixing Sub-district, Binjiang District, Hangzhou City, 310051, Zhejiang Province, China



©2023-2025 Zhejiang Uniview Technologies Co., Ltd. All rights reserved.

*Product specifications and availability are subject to change without notice.

*Despite our best efforts, technical or typographical errors may exist in this document.

Uniview cannot be held responsible for any such errors and reserves the right to change the contents of this document without prior notice.