

Network Video Recorder

NVR301-08S3-P8



Features

- Support Ultra 265/H.265/H.264 video formats
- 4/8/16-channel input
- Plug & Play with 4/8 independent PoE network interfaces
- Support mainstream cameras of ONVIF conformance(Profile S, Profile G, Profile T) and RTSP protocols
- Support 1-ch HDMI, 1-ch VGA, HDMI at up to 4K(3840x2160) resolution
- HDMI and VGA simultaneous output
- Up to 4K resolution recording
- Support cloud upgrade

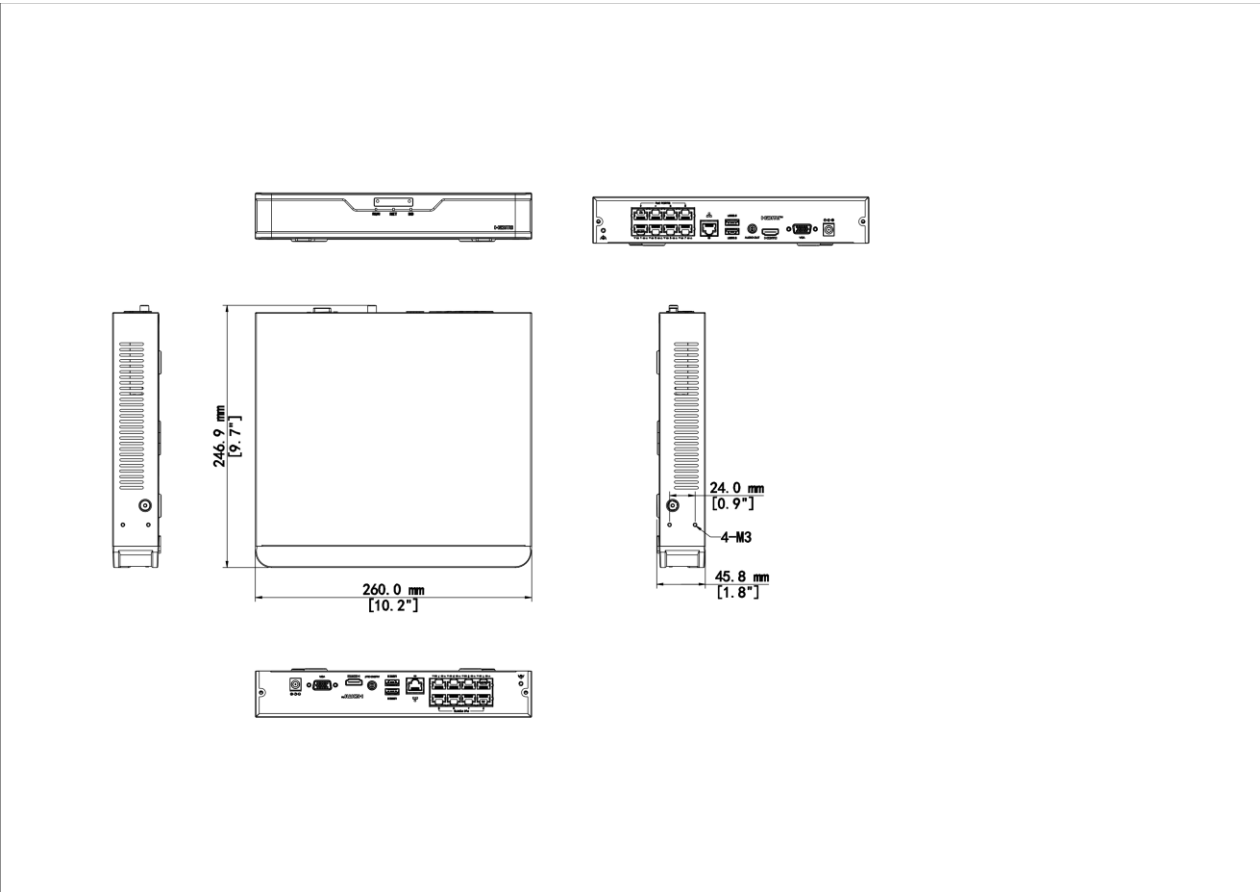
Specifications

| Model | NVR301-08S3-P8 |
|---------------------------------|---|
| Decoding | |
| Decoding Format | Ultra 265, H.265, H.264 |
| Decoding Capability | 1 x 4K@30, 4 x 5MP@25, 4 x 4MP@25, 4 x 3MP@25, 6 x 1080P@30, 8 x 720P@30 |
| Decoding Capability Description | The resolution of each channel cannot exceed 4000 pixels in length and 3000 pixels in width |
| Audio Compression | G.711A, G.711U |
| Network | |
| Incoming Bandwidth | 64 Mbps |
| Outgoing Bandwidth | 48 Mbps |
| Remote Users | 128 |
| Protocols | TCP/IP, P2P, UPnP, NTP, DHCP, PPPoE, HTTP, HTTPS, DNS, DDNS, SMTP, RTSP, IPv4 |

| | |
|-------------------------------|--|
| Browser (Plugin) | IE10, IE11, Chrome 45+, Edge 79+, Firefox 52+ |
| Video/Audio Input | |
| IP Video Input | 8-ch |
| Video/Audio Output | |
| HDMI Output | 4K (3840 × 2160)/30 Hz, 1920 × 1080/60 Hz, 1920 × 1080/50 Hz, 1600 × 1200/60 Hz, 1280 × 1024/60 Hz, 1280 × 720/60 Hz, 1024 × 768/60 Hz |
| VGA Output | 1920 × 1080/60 Hz, 1920 × 1080/50 Hz, 1600 × 1200/60 Hz, 1280 × 1024/60 Hz, 1280 × 720/60 Hz, 1024 × 768/60 Hz |
| RCA Audio Output | 1-ch |
| Liveview Display | 1/4/6/8/9 |
| Corridor Mode Screen | 3/4/5/7/9 |
| Snapshot | |
| FTP/Schedule/Event Snapshot | 1-ch snapshot (max. D1 (720 × 576) video resolution, with D1 snapshot resolution) |
| Recording | |
| Recording Resolution | 8 MP/6 MP/5 MP/4 MP/3 MP/1080P/960P/720P/D1/2CIF/CIF |
| Synchronous Playback in Local | 8-ch |
| Smart | |
| Smart by IPC | Total 4-ch(Face Detection, SIP, UMD) |
| VCA Search | Face Snapshot Search, Behavior Search |
| Alarm | |
| Alert Alarm | IP Conflict, Network Disconnected, Disk Offline, Disk Abnormal, Illegal Access, Hard Disk Space Low, Hard Disk Full, Recording/Snapshot Abnormal |
| GUI Language | |
| GUI Language | 21 languages: Chinese, English, Vietnamese, Thai, Turkish, Spanish (Latin America), Portuguese (Brazil), Spanish, Portuguese, French, German, Italian, Dutch, Polish, Czech, Hungarian, Slovak, Russian, Hebrew, Arabic, Ukrainian |
| Hard Disk | |
| SATA | 1 SATA Interface |
| Capacity | Up to 24 TB for each HDD (The maximum HDD capacity varies with environment temperature and hard disk size, The environment temperature for use should not exceed 40°C) |
| External Interface | |
| Network Interface | 1 RJ45 10 M/100 M self-adaptive Ethernet Interface |
| USB | Rear panel: 2 × USB2.0 |
| RS485 | N/A |
| RS232 | N/A |
| Alarm In | N/A |
| Alarm Out | N/A |
| Power Supply | DC 52 V/1.8 A |
| PoE | |
| PoE Interface | 8 RJ45 10 M/100 M self-adaptive Ethernet Interface |
| Max Power | Max 30 W for single port, Max 75 W in total |
| Supported Standard | IEEE 802.3at, IEEE 802.3af |

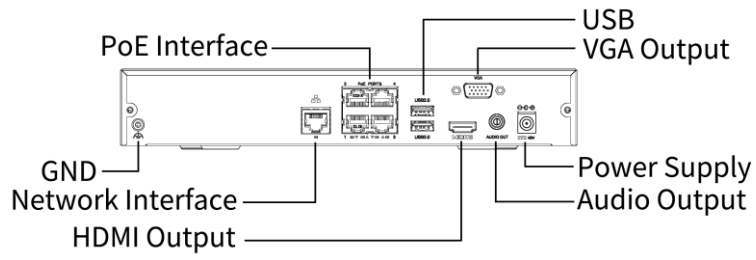
| Working Environment | |
|---------------------------------|--|
| Working Temperature | -10 °C to 55 °C (14 °F to 131 °F) |
| Working Humidity | ≤ 90% RH (non-condensing) |
| Power Consumption (without HDD) | ≤ 9W |
| Dimensions | |
| Weight (without HDD) | ≤ 1.1Kg (2.43lb) |
| Dimensions | 260mm × 240mm × 46mm (10.2"×9.4"×1.8") |
| Certification | |
| Certification | CE; FCC; UL; RoHS; WEEE |
| CE | EN 55032, EN 61000-3-3, EN IEC 61000-3-2, EN 55035 |
| FCC | Part15 Subpart B |

Dimensions



Rear Panel

[NVR301-04S3-P4]



[NVR301-08/16S3-P8]

